



DAX-S2417-01



KITCHEN FAUCETS SERIES

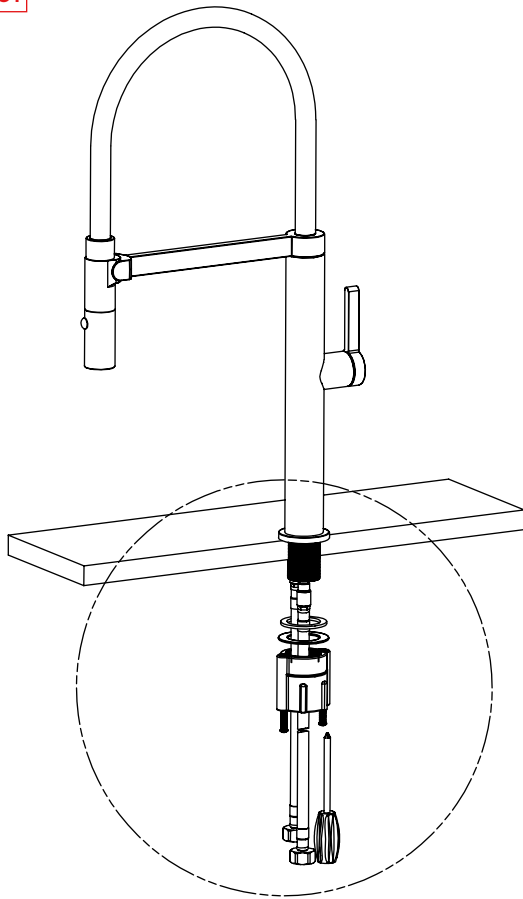


KITCHEN FAUCET **DAX-S2417-01**

MODEL	DAX-S2417-01
ADA	NA
UPC APPROVED	NA
ANSI APPROVED	NA
ASME APPROVED	NA
WATERSENSE CERTIFIED	NA
NSF APPROVED	NA
CONNECTION SIZE	G9/16-24UNEF
FAUCET HOLE SIZE	M10*1
FAUCETS HOLE	1-3/8"
FAUCET TYPE	Put-out
FLOW RATE (GPM)	1.8 gpm
HANDLE STYLE	Single
NUMBER OF HANDLES	1
HEIGHT	6-9/16"
HOSE LENGTH	22-1/16"
INSTALLATION TYPE	Screw
MATERIAL	Brass
FINISH	Gun metal
PULL OUT SPRAY	Brass put-out
PRE-RINSE	Two function
SIDESPRAY	NA
SPOUT HEIGHT	7-7/8"
SPOUT REACH	9-1/16"
SPOUT SWIVEL	360°
SPOUT TYPE	Silica gel
CARTRIDGE TYPE	1"
MAX DECK THICKNESS	1-3/16" (MAX)
INCLUDED COMPONENTS	Water lines and mounting parts



01



02

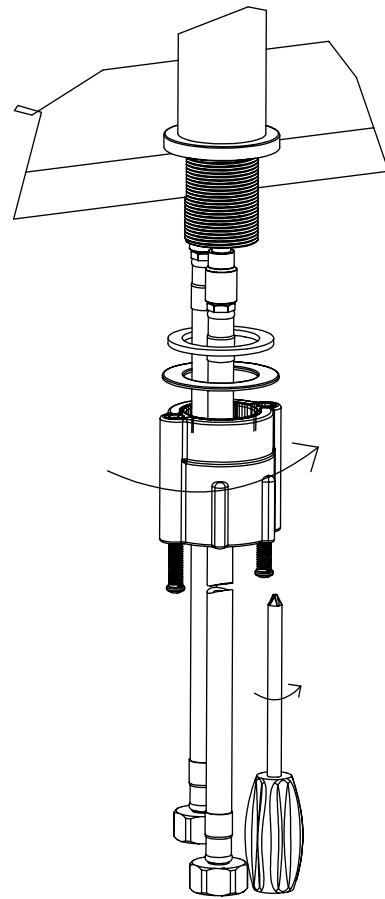




DIAGRAM NUMBER	DAX SKU	TITLE DESCRIPTION
1	JSA030CP	Hose
2	QTE023NT	Silicon gel pipe
3	LSE015NT	Screw
4	TTA020CP	Union nut
5	JTA044NT	Bush
6	DPC008NT	Washer
7	ORC048NT	O-Ring
8	FR-CV13	Check valve
9	JTA045NT	Bush
10	ORC005NT	O-Ring
11	QTH016NT	Round iron
12	TTB019NT	Connection sleeve
13	54008CP	Spray
14	DZB029NT	Magnet seat
15	QTG015NT	Magnet
16	QTB014NT	Escutcheon
17	JTA046NT	Connect
18	ORC051NT	O-Ring
19	BTA051NT	Valve body
20	JSA018NT	Inlet assy
21	JSA031CP	Inlet assy
22	QTD013CP	Bracket
23	NMB036NT	Washer
24	JTA041NT	Bush
25	NMB038NT	Washer
26	ORC052NT	O-Ring
27	NMB037NT	Washer
28	SNB009NT	Plug botton kit
29	TTA017CP	Bush
30	TTA017NT	Bush

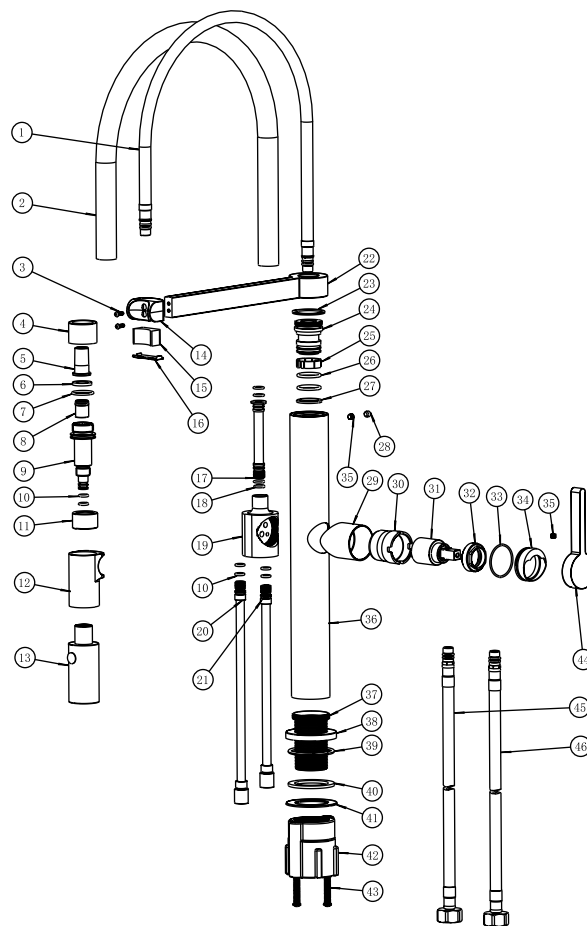
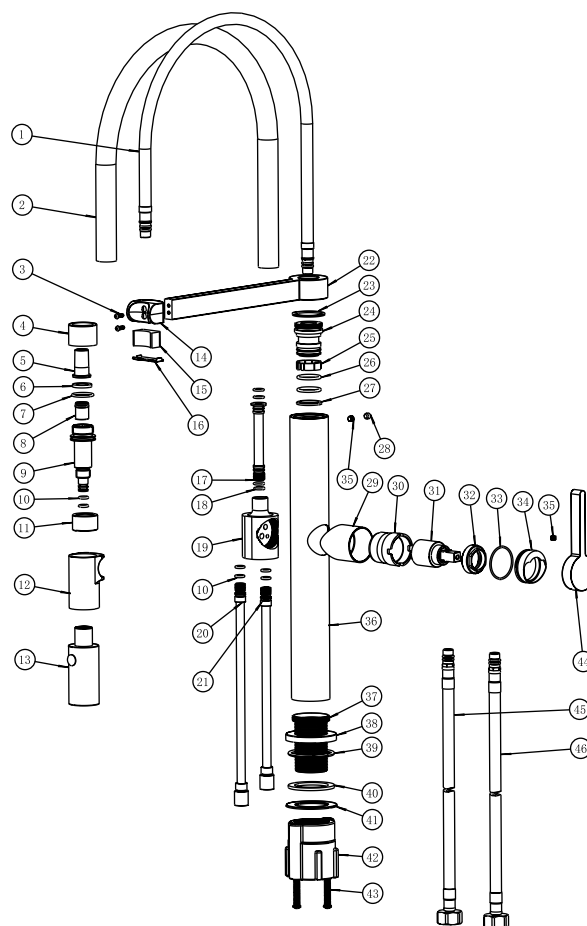




DIAGRAM NUMBER	DAX SKU	TITLE DESCRIPTION
31	FXB025NT	Valve
32	M28YG	Nut
33	ORC049NT	O-Ring
34	ZSA016CP	Bonnet
35	LSE024NT	Screw
36	TTA900CP	Valve body
37	DYA001NT	Shank
38	DZA028CP	Base escutcheon
39	ORC050NT	O-Ring
40	DPC010NT	Washer
41	DPE013NT	Washer
42	LMA009NT	Nut assy
43	LSE019NT	Screw
44	BSD036CP	Handle
45	JSA004CP	Inlet hose (cold)
46	JSA005CP	Inlet hose (hot)



For parts or sale requirements please contact our customer service department:

 CS@daxib.com

 1 888 685 8236